

Boom Balun Mounting Kit

DXE-BMB-INS Rev 3



© DX Engineering 2009

P.O. Box 1491 · Akron, OH 44309-1491 USA

Phone: (800) 777-0703 · Tech Support and International: (330) 572-3200

Fax: (330) 572-3279 · E-mail: DXEngineering@DXEngineering.com

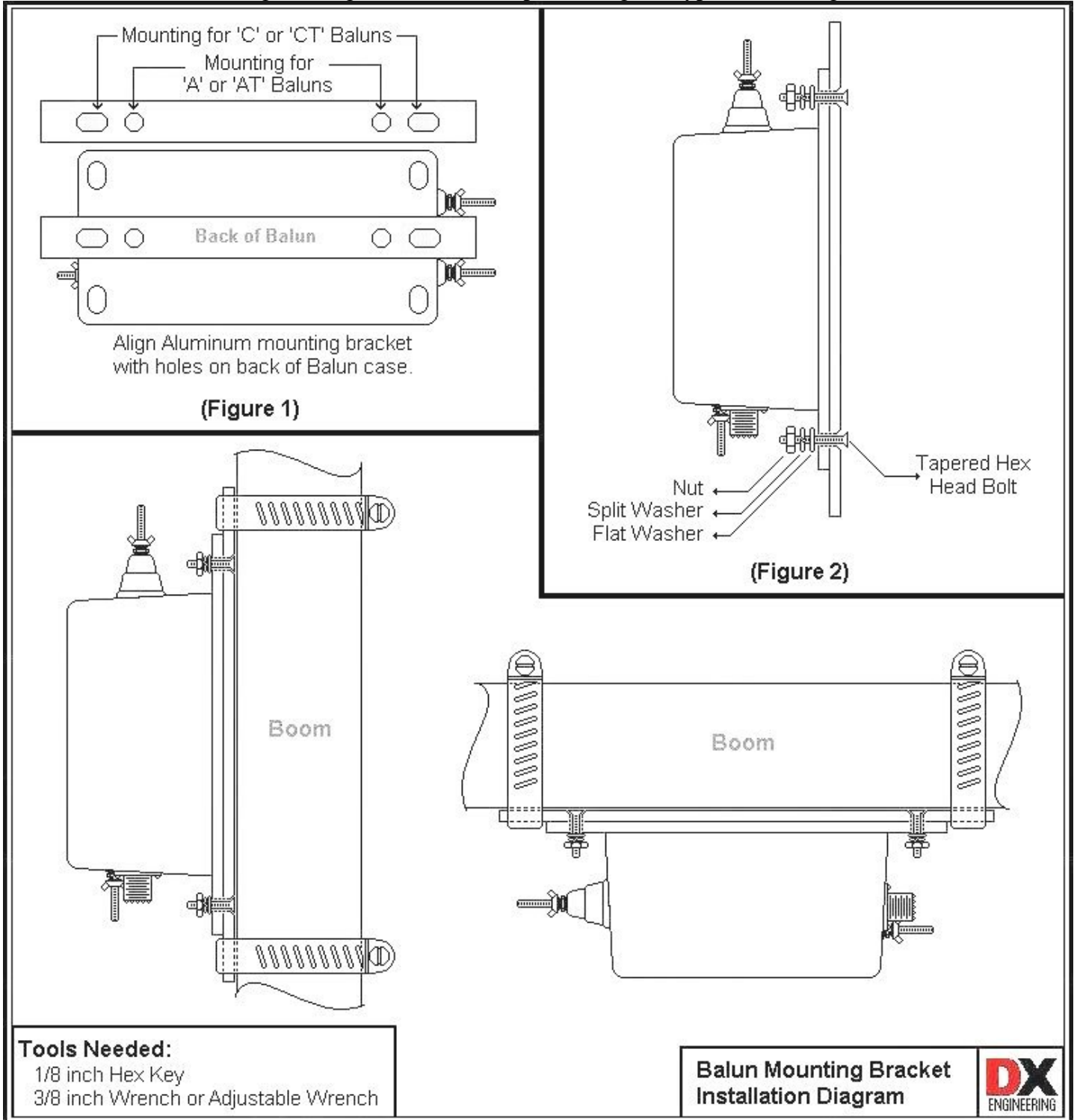
There are three Boom Balun Mounting Kits available, the only difference being the size of the stainless steel clamps to accommodate the various boom diameters.

DXE-BMB-1P - Balun Mounting Kit for a .750 in. thru 1.50 in. Boom

DXE-BMB-2P - Balun Mounting Kit for a 1.56 in. thru 2.25 in. Boom

DXE-BMB-3P - Balun Mounting Kit for a 2.31 in. thru 3.00 in. Boom

The following drawing shows hardware positioning and typical mounting methods.



DXE-BMB-1P - Balun Mounting Kit for a .750 in. thru 1.50 in. Boom

This handy Aluminum mounting bar and Stainless Steel hardware kit will allow you to mount your quality DX Engineering Balun, Feed Line Current Choke, or Vertical Feedline Current Choke, directly to a .750 in. thru 1.50 in. boom or pipe.

Kits includes:

- (1) Aluminum Mounting Bracket - 10" x 1" x 0.125"
- (1) Stainless Steel Bracket Hardware Kit
- (2) Stainless Steel Boom Clamps



DXE-BMB-2P - Balun Mounting Kit for a 1.56 in. thru 2.25 in. Boom

This handy Aluminum mounting bar and Stainless Steel hardware kit will allow you to mount your quality DX Engineering Balun, Feed Line Current Choke, or Vertical Feedline Current Choke, directly to a 1.56 in. thru 2.25 in. boom or pipe.

Kits includes:

- (1) Aluminum Mounting Bracket - 10" x 1" x 0.125"
- (1) Stainless Steel Bracket Hardware Kit
- (2) Stainless Steel Boom Clamps



DXE-BMB-3P - Balun Mounting Kit for a 2.31 in. thru 3.00 in. Boom

This handy Aluminum mounting bar and Stainless Steel hardware kit will allow you to mount your quality DX Engineering Balun, Feed Line Current Choke, or Vertical Feedline Current Choke, directly to a 2.31 in. thru 3.00 in. boom or pipe.

Kits includes:

- (1) Aluminum Mounting Bracket - 10" x 1" x 0.125"
- (1) Stainless Steel Bracket Hardware Kit
- (2) Stainless Steel Boom Clamps



Optional Items

DXE-81343, 81464, NSBT8, NMBT8 - Never-Seez & Anti-Seize

An Anti-seize compound MUST be used on any Stainless Steel nuts, bolts, clamps or other hardware to prevent galling and thread seizure. Any of these products can be used for this purpose.

*DXE-81343	Anti-Seize, 1 oz. Squeeze Tube
*DXE-81464	Anti-Seize, 8.5 oz. Aerosol Can
*DXE-NSBT8	Never-Seez, 8 oz. Brush Top
*DXE-NMBT8	Never-Seez, 8 oz. Brush Top, Marine Grade

* These products are limited to domestic [UPS Ground shipping only](#)



Technical Support

If you have questions about this product, or if you experience difficulties during the installation, contact DX Engineering at (330) 572-3200. You can also e-mail us at:

DXEngineering@DXEngineering.com

For best service, please take a few minutes to review this manual before you call.

Warranty

All products manufactured by DX Engineering are warranted to be free from defects in material and workmanship for a period of one (1) year from date of shipment. DX Engineering's sole obligation under these warranties shall be to issue credit, repair or replace any item or part thereof which is proved to be other than as warranted; no allowance shall be made for any labor charges of Buyer for replacement of parts, adjustment or repairs, or any other work, unless such charges are authorized in advance by DX Engineering. If DX Engineering's products are claimed to be defective in material or workmanship, DX Engineering shall, upon prompt notice thereof, issue shipping instructions for return to DX Engineering (transportation-charges prepaid by Buyer). Every such claim for breach of these warranties shall be deemed to be waived by Buyer unless made in writing. The above warranties shall not extend to any products or parts thereof which have been subjected to any misuse or neglect, damaged by accident, rendered defective by reason of improper installation, damaged from severe weather including floods, or abnormal environmental conditions such as prolonged exposure to corrosives or power surges, or by the performance of repairs or alterations outside of our plant, and shall not apply to any goods or parts thereof furnished by Buyer or acquired from others at Buyer's specifications. In addition, DX Engineering's warranties do not extend to other equipment and parts manufactured by others except to the extent of the original manufacturer's warranty to DX Engineering. The obligations under the foregoing warranties are limited to the precise terms thereof. These warranties provide exclusive remedies, expressly in lieu of all other remedies including claims for special or consequential damages. SELLER NEITHER MAKES NOR ASSUMES ANY OTHER WARRANTY WHATSOEVER, WHETHER EXPRESS, STATUTORY, OR IMPLIED, INCLUDING WARRANTIES OF MERCHANTABILITY AND FITNESS, AND NO PERSON IS AUTHORIZED TO ASSUME FOR DX ENGINEERING ANY OBLIGATION OR LIABILITY NOT STRICTLY IN ACCORDANCE WITH THE FOREGOING.

DX Engineering 2009

DX Engineering®, DXE®, Hot Rodz™, Maxi-Core™, THUNDERBOLT™, Antenna Designer™, Yagi Mechanical™, and Gorilla Grip™ Stainless Steel Boom Clamps, are trademarks of PDS Electronics, Inc. No license to use or reproduce any of these trademarks or other trademarks is given or implied. All other brands and product names are the trademarks of their respective owners.

Specifications subject to change without notice.