



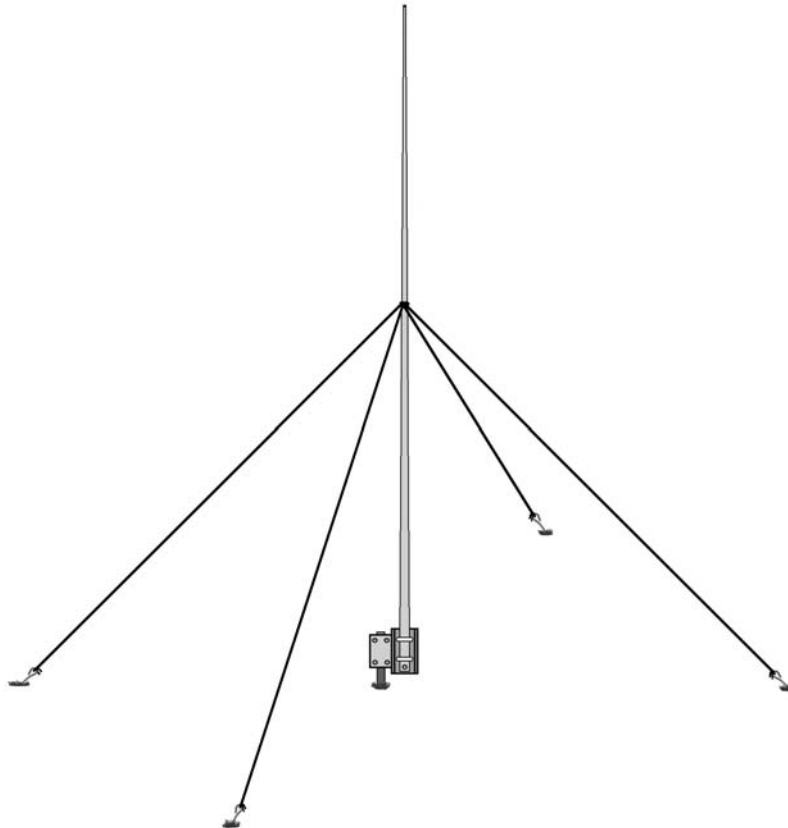
## Vertical Antenna Guying Kits

**DXE-GUY-100**

**DXE-GUY-200**

**DXE-GUY-400**

DXE-GUY-INS-Revision 0



© DX Engineering 2008

P.O. Box 1491 · Akron, OH 44309-1491

Phone: (800) 777-0703 · Tech Support and International: (330) 572-3200

Fax: (330) 572-3279 · E-mail: [DXEngineering@DXEngineering.com](mailto:DXEngineering@DXEngineering.com)

## Introduction

Some vertical antenna manufacturers indicate their antennas do not need guying. During times of high winds or ice loading, some of these verticals may sustain damage or fail altogether. With the small amount of effort needed to install a four point guying system, the risk hardly seems worth taking. A four-point guying scheme provides the best mechanical advantage to prevent wind stress, regardless of direction.

When using an optional **DXE-TB-3P or 4P** Tilt Base, a four point guying system is recommended for use with DX Engineering vertical antennas because just one of the guy ropes has to be loosened when you tilt the vertical down. The remaining guys help stabilize the vertical in three directions when being raised.

These Vertical Guying kits have been designed to be used with ground mounted vertical antenna systems. The guying kits are ideal for fixed or portable installations.

## Parts Included

### DXE-GUY-100

- 4 - **DXE-EA15-4P** - Heavy Duty screw-in earth anchors with eyelets, 15" x 3"
- 1 - **STI-DBR-94-100** - 100 ft Rolls - UV resistant, 3/32" Double-Braided Dacron Polyester Rope



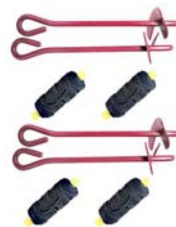
### DXE-GUY-200

- 4 - **DXE-EA15-4P** - Heavy Duty screw-in earth anchors with eyelets, 15" x 3"
- 2 - **STI-DBR-94-100** - 100 ft Rolls - UV resistant, 3/32" Double-Braided Dacron Polyester Rope



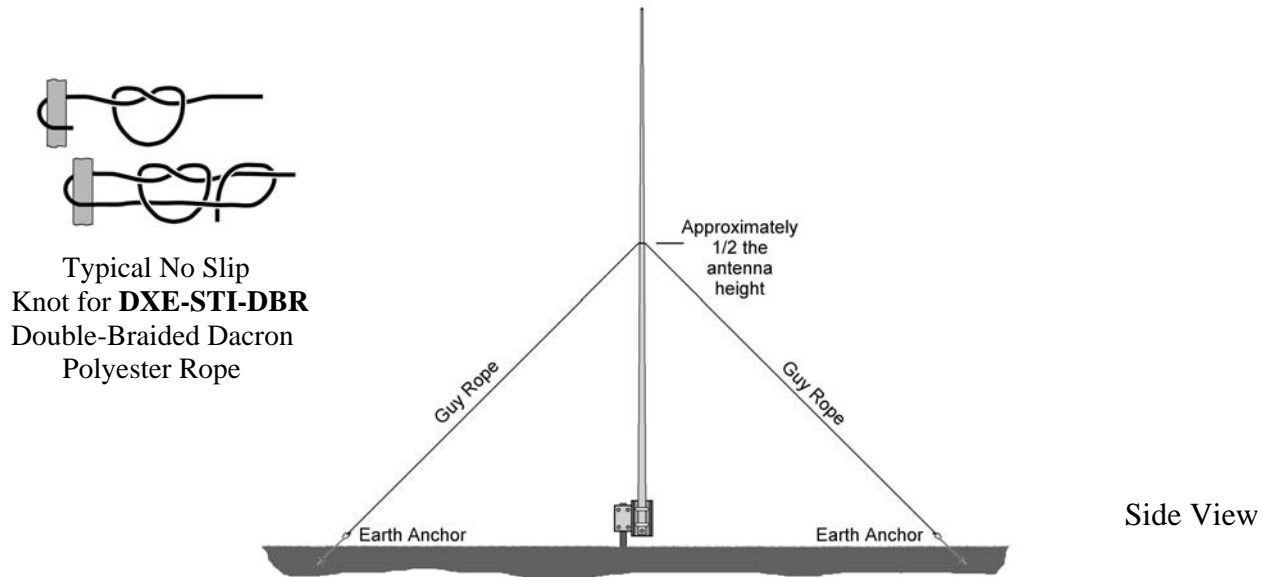
### DXE-GUY-400

- 4 - **DXE-EA15-4P** - Heavy Duty screw-in earth anchors with eyelets, 15" x 3"
- 4 - **STI-DBR-94-100** - 100 ft Rolls - UV resistant, 3/32" Double-Braided Dacron Polyester Rope

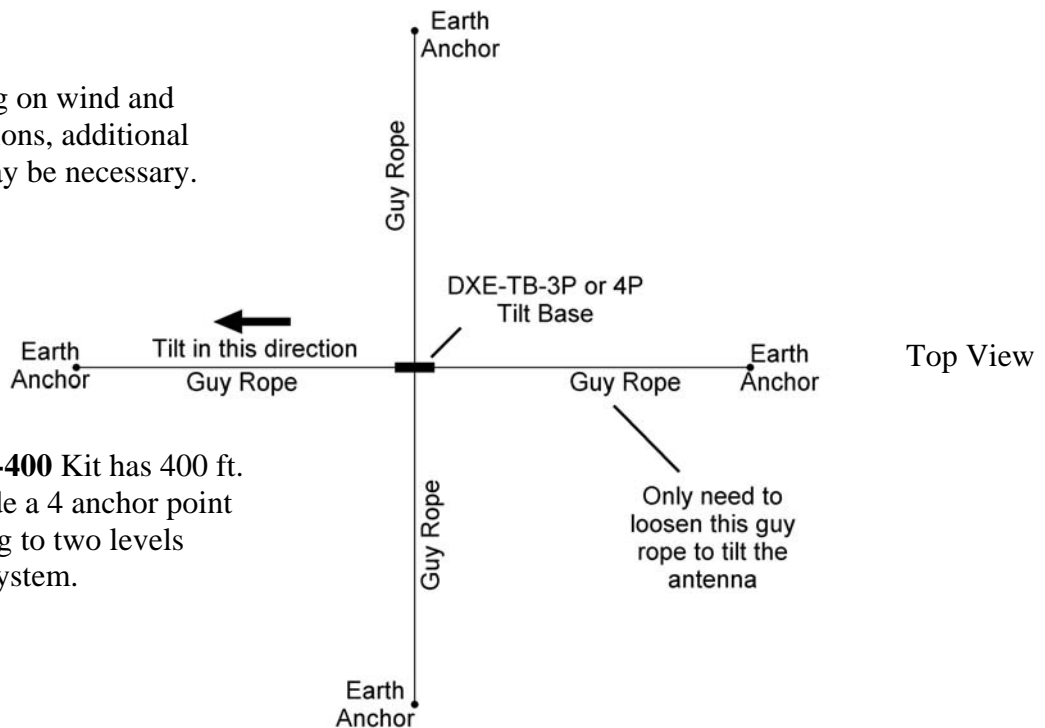


## Guying a Vertical Antenna System

Guying of vertical antennas is always recommended for stability. However, if your area encounters severe wind velocities or icing conditions, simple guying will prevent the possibility of failure. Using the **DXE-GUY** kits, you can install four guy ropes starting approximately 1/2 the way up the vertical antenna system to ground level. Guying should be tightened just enough to permit the antenna to swing a few inches. The ends of the ropes are tied to the earth anchors that are screwed into the ground at about the same angle as the ropes will be. When using the optional **DXE-TB-3P** or **4P** Tilt Base, position the guy wires as shown below. This will make it easy to raise or lower the antenna and only one guy line needs to be loosened. The other guy lines will help guide the antenna on the way up. Depending on your antenna system, additional guys at higher points on the antenna may be required.



**Note:** Depending on wind and ice conditions, additional guying may be necessary.



The **DXE-GUY-400** Kit has 400 ft. of rope to provide a 4 anchor point guy system going to two levels on the antenna system.

## Optional Accessory Items

### **DXE-TB-3P - Tilt Base Kit for 1/4 wave Hustler 4, 5 & 6 BTV Verticals**

With a DX Engineering Tilt Base, operators can raise or lower their BTV vertical in seconds while leaving the base plate securely attached to the mounting pipe or post. One person can service the antenna—no more climbing ladders or removing brackets. Easily make repairs, tune your vertical or lay your antenna down before bad weather hits.

Precision cut from 3/16 in. 304 Stainless Steel, this Tilt Base is virtually indestructible. Conveniently mounts to the same pipe or post that you use for the antenna and radial plate.

**Note:** If you are mounting your Tilt Base to a ground mounted pipe, an additional purchase of two saddle clamps is required to mount the Tilt Base to that pipe. Please consult the following Tilt Base Diagrams, or contact us directly for further info. The CAVS-2P clamp can be used with pipes from 1" to 2" O.D. or the SAD-200A can be used only with a 2 inch O.D. pipe. No other hardware is required because the Hustler BTV series base section attaches directly to the Tilt Base.



### **DXE-TB-4P - Tilt Base Kit for Ground Mounted 1/4 Wave Vertical Antennas**

The DX Engineering Tilt Base mounting plate enables operators to raise or lower an antenna in seconds while leaving the base securely attached to the mounting post. With the Tilt Base, one person can service an antenna—no more climbing ladders, or removing a bracket from the support post. Precision cut from 3/16 in. 304 Stainless Steel, this mounting plate is virtually indestructible. Conveniently mounts to the same mast that you use for the antenna and radial plate. Easily make repairs, tune your vertical, or lay your antenna down before bad weather hits with a DX Engineering Tilt Base. Two DXE-CAVS-1P V-Clamps to secure the vertical antenna base to the Tilt Base arm are included. **Note:** If you are mounting your Tilt Base to a ground mounted pipe, an additional purchase of two saddle clamps is required to mount the Tilt Base to that pipe. The CAVS-2P clamp can be used with pipes from 1" to 2" O.D. or the SAD-200A can be used with a 2 inch O.D. pipe.



## Technical Support

If you have questions about this product, or if you experience difficulties during the installation, contact DX Engineering at (330) 572-3200. You can also e-mail us at:

[DXEngineering@DXEngineering.com](mailto:DXEngineering@DXEngineering.com)

For best service, please take a few minutes to review this manual before you call.

## Warranty

All products manufactured by DX Engineering are warranted to be free from defects in material and workmanship for a period of one (1) year from date of shipment. DX Engineering's sole obligation under these warranties shall be to issue credit, repair or replace any item or part thereof which is proved to be other than as warranted; no allowance shall be made for any labor charges of Buyer for replacement of parts, adjustment or repairs, or any other work, unless such charges are authorized in advance by DX Engineering. If DX Engineering's products are claimed to be defective in material or workmanship, DX Engineering shall, upon prompt notice thereof, issue shipping instructions for return to DX Engineering (transportation-charges prepaid by Buyer). Every such claim for breach of these warranties shall be deemed to be waived by Buyer unless made in writing. The above warranties shall not extend to any products or parts thereof which have been subjected to any misuse or neglect, damaged by accident, rendered defective by reason of improper installation, damaged from severe weather including floods, or abnormal environmental conditions such as prolonged exposure to corrosives or power surges, or by the performance of repairs or alterations outside of our plant, and shall not apply to any goods or parts thereof furnished by Buyer or acquired from others at Buyer's specifications. In addition, DX Engineering's warranties do not extend to other equipment and parts manufactured by others except to the extent of the original manufacturer's warranty to DX Engineering. The obligations under the foregoing warranties are limited to the precise terms thereof. These warranties provide exclusive remedies, expressly in lieu of all other remedies including claims for special or consequential damages. SELLER NEITHER MAKES NOR ASSUMES ANY OTHER WARRANTY WHATSOEVER, WHETHER EXPRESS, STATUTORY, OR IMPLIED, INCLUDING WARRANTIES OF MERCHANTABILITY AND FITNESS, AND NO PERSON IS AUTHORIZED TO ASSUME FOR DX ENGINEERING ANY OBLIGATION OR LIABILITY NOT STRICTLY IN ACCORDANCE WITH THE FOREGOING.

©DX Engineering 2008

DX Engineering®, DXE®, Hot Rodz™, Maxi-Core™, THUNDERBOLT™, Antenna Designer™, Yagi Mechanical™, and Gorilla Grip™ Stainless Steel Boom Clamps, are trademarks of PDS Electronics, Inc. No license to use or reproduce any of these trademarks or other trademarks is given or implied. All other brands and product names are the trademarks of their respective owners.